

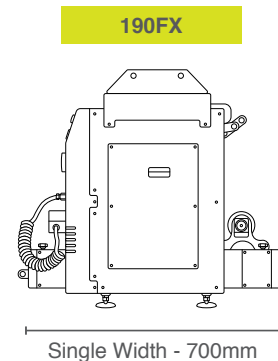
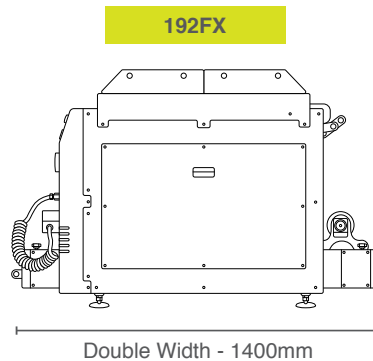


## HORIZONTAL FIXATION

The GoTx® 192FX/190FX/260FX are powerful fixation units for pigment inks. Designed to run with the GoTx® 2190/2260 printers for seamless productivity.

Utilising quad zone heater element plates below and above the media horizontally where the fabric is not touched during cure. For consistency we do not employ IR heatlamps to avoid cool cure zones across the media. Fixation on a horizontal path provides better control and avoids smoke, steam or oil which can be dragged across the media = ghost free imaging.

- Up to 60 linear meters per hour output, with variable top, bottom radial axial fans for steam removal
- The GoTx® fixation modules are designed for uninterrupted production and media is NOT touched during transfer fixation process
- No air scrubber required



## SPECIFICATIONS

	192FX [Double width]	190FX	260FX
Width x Depth x Height (mm)	2900 x 1400 x 1100 (114" x 55" x 43")	2900 x 700 x 1100 (114" x 27" x 43")	3400 x 700 x 1100 (134" x 27" x 43")
Media size (mm)	900-1900	900-1900	1200-2600
Elements / Zones	24 / 8	12 / 4	12 / 4
Speed	> 1meter / minute	> 500mm / minute	> 500mm / minute